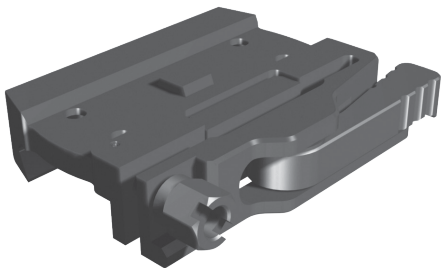


# Aimpoint®

## Micro LRP Mount User manual



**THE FUTURE IN SIGHT.**

# 1 PRESENTATION

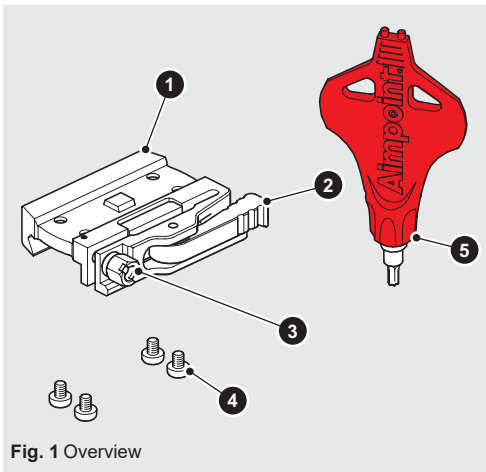
The Aimpoint® Micro LRP mount is a quick attach/detach mount which is designed to be used with the Aimpoint Micro series sights. The Micro LRP mount can be mounted to any Picatinny rail. No rezeroing is necessary if the sight is detached from the Picatinny rail and then reattached in the same groove.

## 1.1 Technical specification

### Physical specification

Length	59 mm (2 1/3")
Width	43 mm (1 2/3")
Optical axis height (over top surface of Picatinny rail)	20 mm (3/4")
Weight	41 g (1.45 oz)

## 1.2 Overview



**Fig. 1** Overview

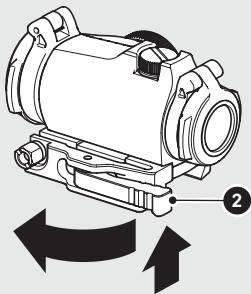
1. Base
2. Lever
3. Adjustment nut
4. Screws for base (4 pcs)
5. Aimpoint tool

## 2 OPERATION

**WARNING:** Ensure the weapon is not loaded and the safety selector is in the "safe" position before attempting to install, remove or perform maintenance.

Start by installing the Micro LRP mount to an Aimpoint® Micro sight. For installation of the Micro LRP mount to an Aimpoint Micro sight, follow instructions in the user manual for the Aimpoint Micro sight.

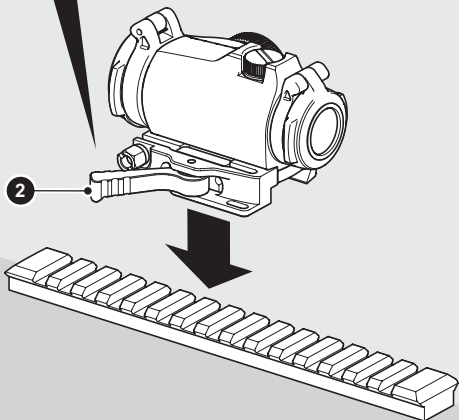
Follow instructions in **Fig. 2 - 5** for mounting of the Micro LRP mount.



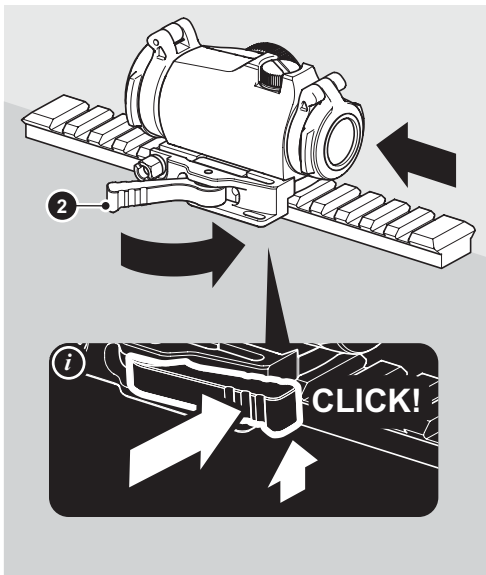
**Fig. 2** Lift the lever (2) up to release it and set to "open".

**CAUTION:** Ensure the groove to be used on the Picatinny rail is clean and free of dirt.

**i** The lever (2) is open

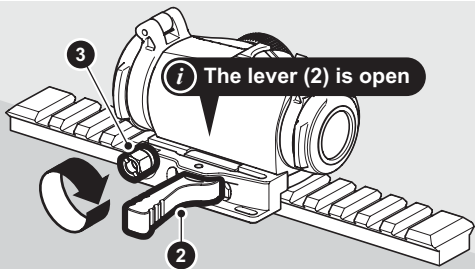


**Fig. 3** Position the recoil stop in the groove to be used on the Picatinny rail and install the mount.



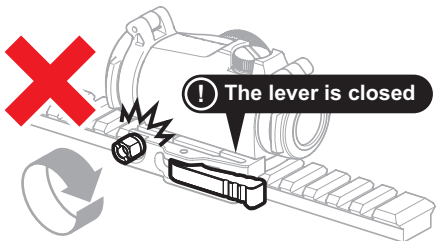
**Fig. 4** With the recoil stop positioned in a groove of the Picatinny rail, push the sight with mount forward and close the lever (2) **with the hand (no tools)**.

**CAUTION:** The lever (2) must never be forced to close by the use of pliers or any other tool.



**Fig. 5** If the lever (2) cannot be closed or the mount does not clamp with sufficient force: **set the lever (2) to “open”** and tighten or loosen the adjustment nut (3) before attempting to close the lever (2).

**CAUTION:** If the lever is closed, the adjustment nut must never be tightened! This can cause the mount to break.



**Aimpoint AB**

Jägershillgatan 15  
SE- 213 75 Malmö, Sweden  
Phone: +46 (0)40 671 50 20  
Fax: +46 (0)40 21 92 38  
e-mail: [info@aimpoint.se](mailto:info@aimpoint.se)

**Aimpoint Inc.**

7309 Gateway Court  
Manassas, VA 20109, USA  
Phone: +1 703-263-9795  
Fax: +1 703-263-9463  
e-mail: [info@aimpoint.com](mailto:info@aimpoint.com)

**[WWW.AIMPOINT.COM](http://WWW.AIMPOINT.COM)**

© 2011, 2016 Aimpoint AB. [12820-1]

