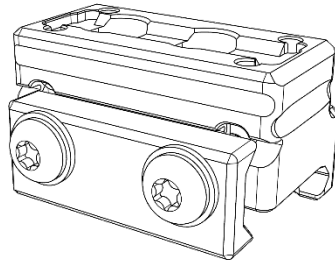




SM-3002 TRIJICON MRO MOUNT

Extremely sturdy one-piece Trijicon MRO mount



The SM-series of red dot sight mounts was designed to be the most rugged mounts possible. The mount consists of a mount body, a rail clamp, a set of clamping screws with washers, and five UC6S No 4 UNF x 6 screws for attaching the MRO to the mount.

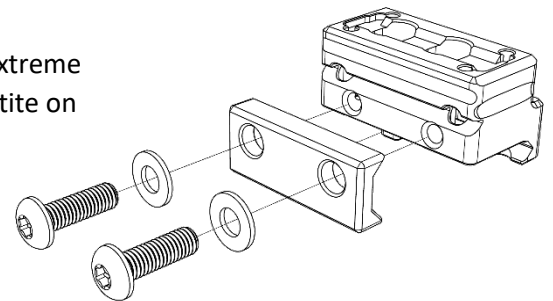
Installation

To use the SM-mount begin by attaching the Trijicon MRO to the mount using a 3/32 socket key and four UC6S No 4 UNF x 6 screws. Note that the mount can be installed with the clamping screws facing either left or right.

Once the MRO is attached to the mount body the clamping screws can be attached. Install the mount onto the rail by inserting the two M5x16 Torx 20 clamping screws with the black washers through the sideclamp into the mount body.

The clamping screws are waxed from the factory. Customers working in extreme conditions may want to degrease the screws and screw holes and use Loctite on all screws instead.

We recommend the use of torx drivers for ease of mounting. The torx heads are rather shallow and a torx driver is easier to use than a torx key.



Torque

Our recommendation is to use a torque key during the initial installation of the mount. The Tx20 clamping screws should be torqued to 45 in/lbs (5 Nm.) We also recommend that the clamping screws are then marked with indexing marks as to easily verify proper torque in the field.

PARTS LIST

- 1 x SM-3002 mount body
- 5 x S-1335 UC6S No 4 UNF x 6 screws
- 1 x SM-123 sideclamp
- 2 x S-1332 KTS 10.9 M5x16 clamping screws
- 2 x A-0180 5,5 mm washers (black)